



# Veloce

**FV98HP**

**98cm Hydrostatic Tractor Mower**

**Trattorino rasaerba idrostatico da 98cm**

**Tractor cortacésped hidrostático de 98cm**

**Tondeuse tracteur hydrostatique de 98cm**

**98cm hydrostatischer Traktor-Rasenmäher**

**Trator cortador de grama hidrostático de 98cm**

**Genuine replacement parts.**

**Parti di ricambio originali.**

**Repuestos originales.**

**Pièces de rechange d'origine.**

**Original-Ersatzteile.**

**Peças de reposição originais.**

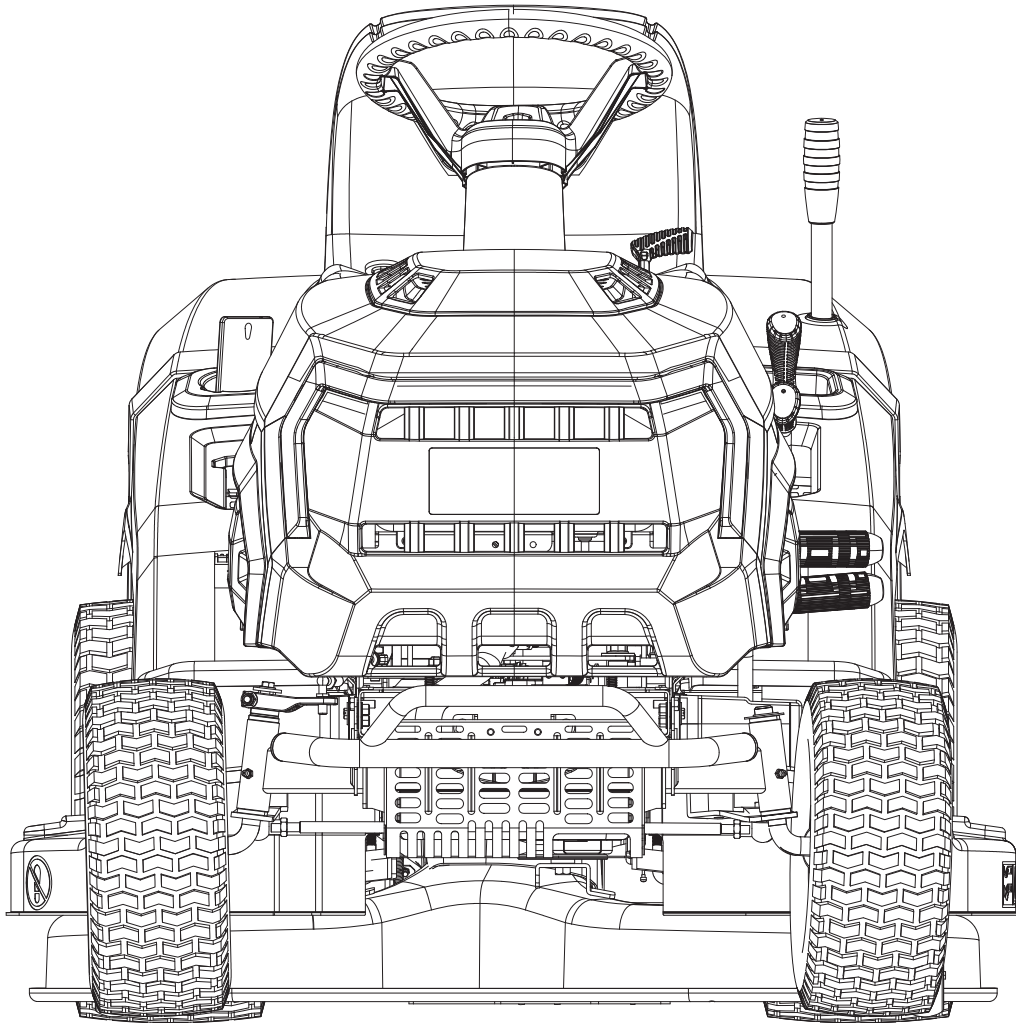
[fiatprofessionalgarden.eu](http://fiatprofessionalgarden.eu)

Designed and engineered by



**Engineering Eden**

# Veloce



**Speed. Durability. Neighbour envy.**

**Velocità. Durabilità. Invidia del vicinato.**

**Velocidad. Durabilidad. Envidia del vecino.**

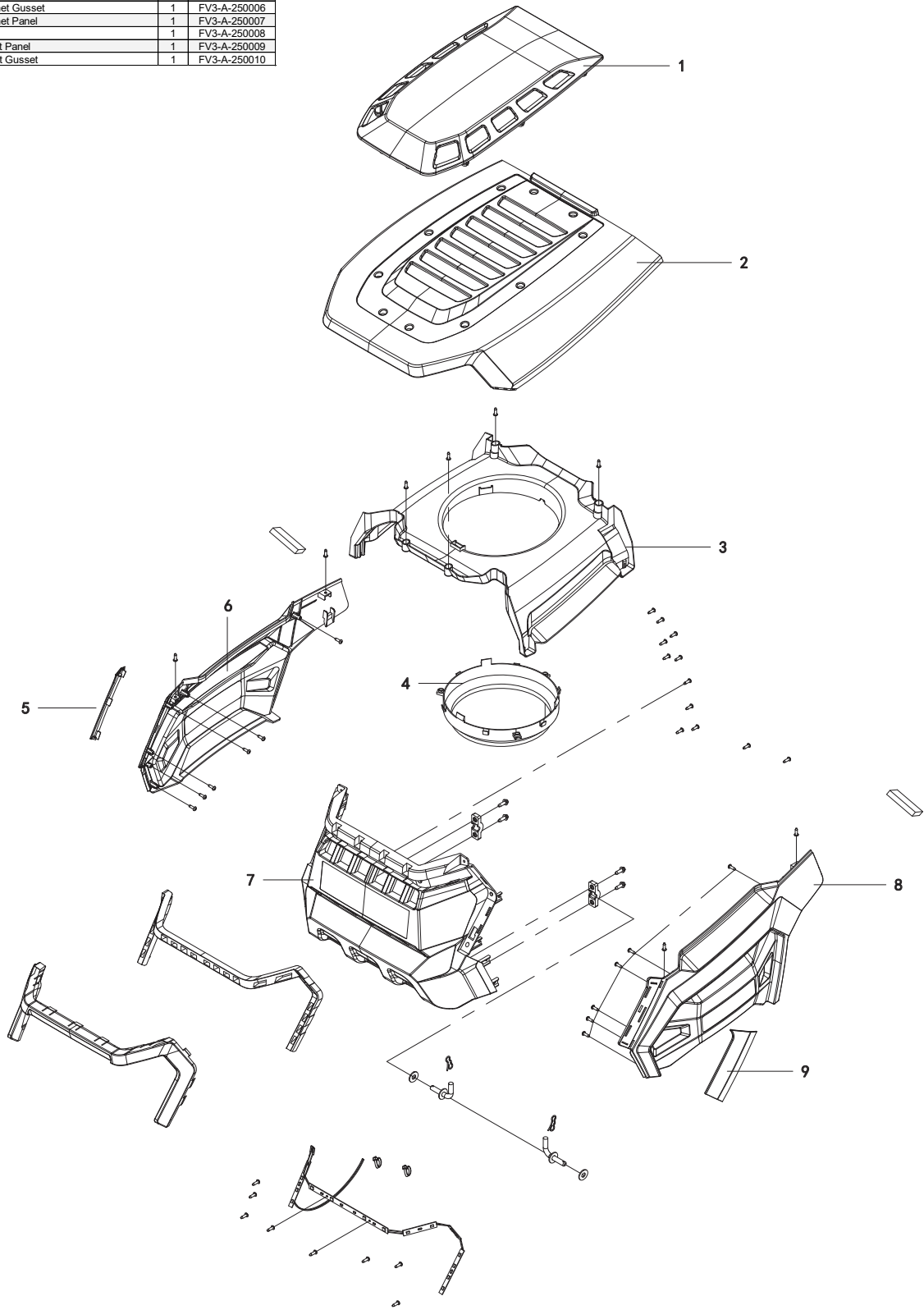
**Vitesse. Durabilité. Envie des voisins.**

**Geschwindigkeit. Haltbarkeit. Nachbarschaftsneid.**

**Velocidade. Durabilidade. Inveja dos vizinhos.**

# Section A individual parts

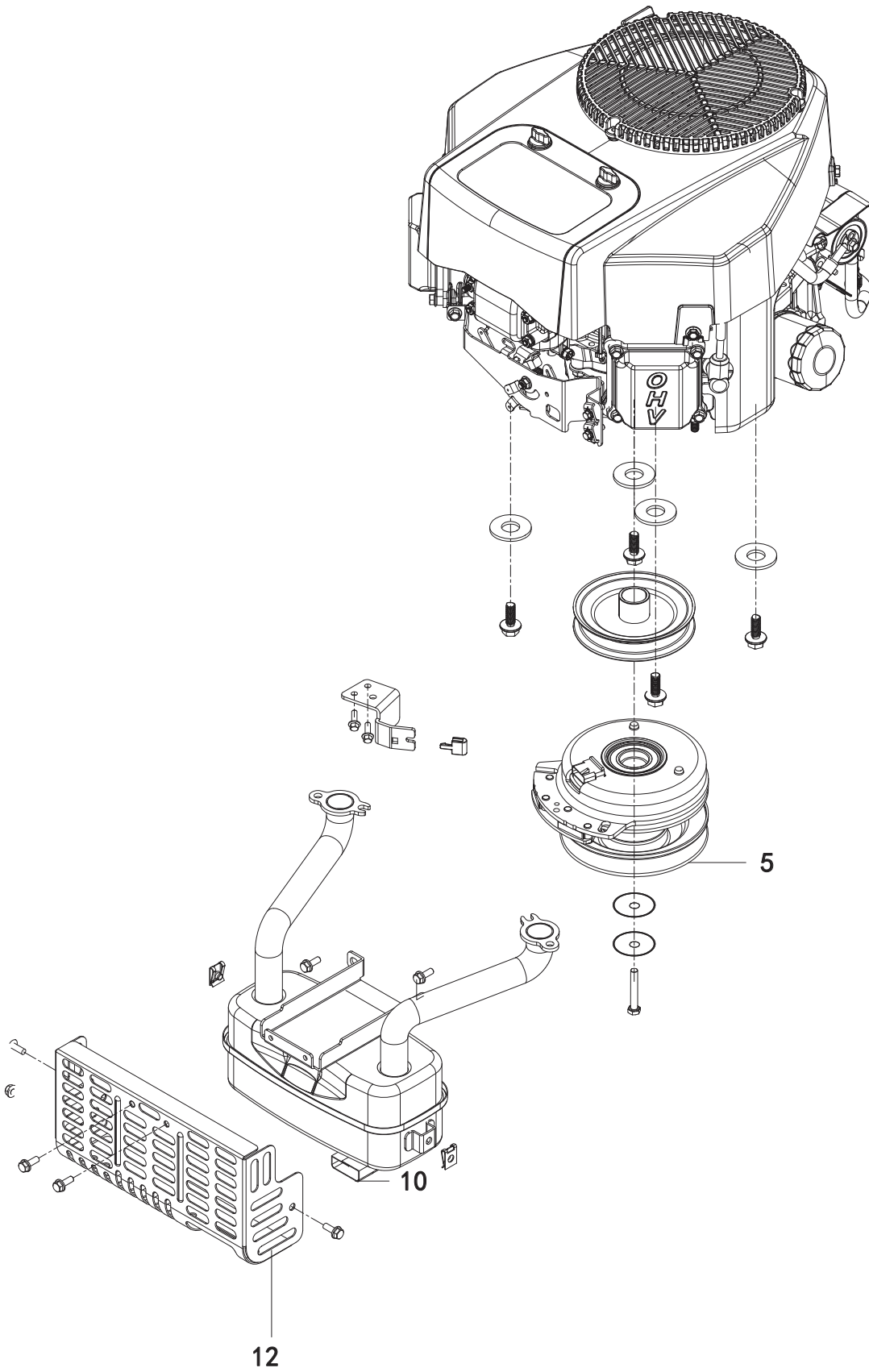
Position	Description	QTY	Part Number
1	Bonnet Vent	1	FV3-A-250002
2	Bonnet Top	1	FV3-A-250003
3	Cooling Cowl	1	FV3-A-250004
4	Cooling Feed	1	FV3-A-250005
5	Right Bonnet Gusset	1	FV3-A-250006
6	Right Bonnet Panel	1	FV3-A-250007
7	Grille	1	FV3-A-250008
8	Left Bonnet Panel	1	FV3-A-250009
9	Left Bonnet Gusset	1	FV3-A-250010





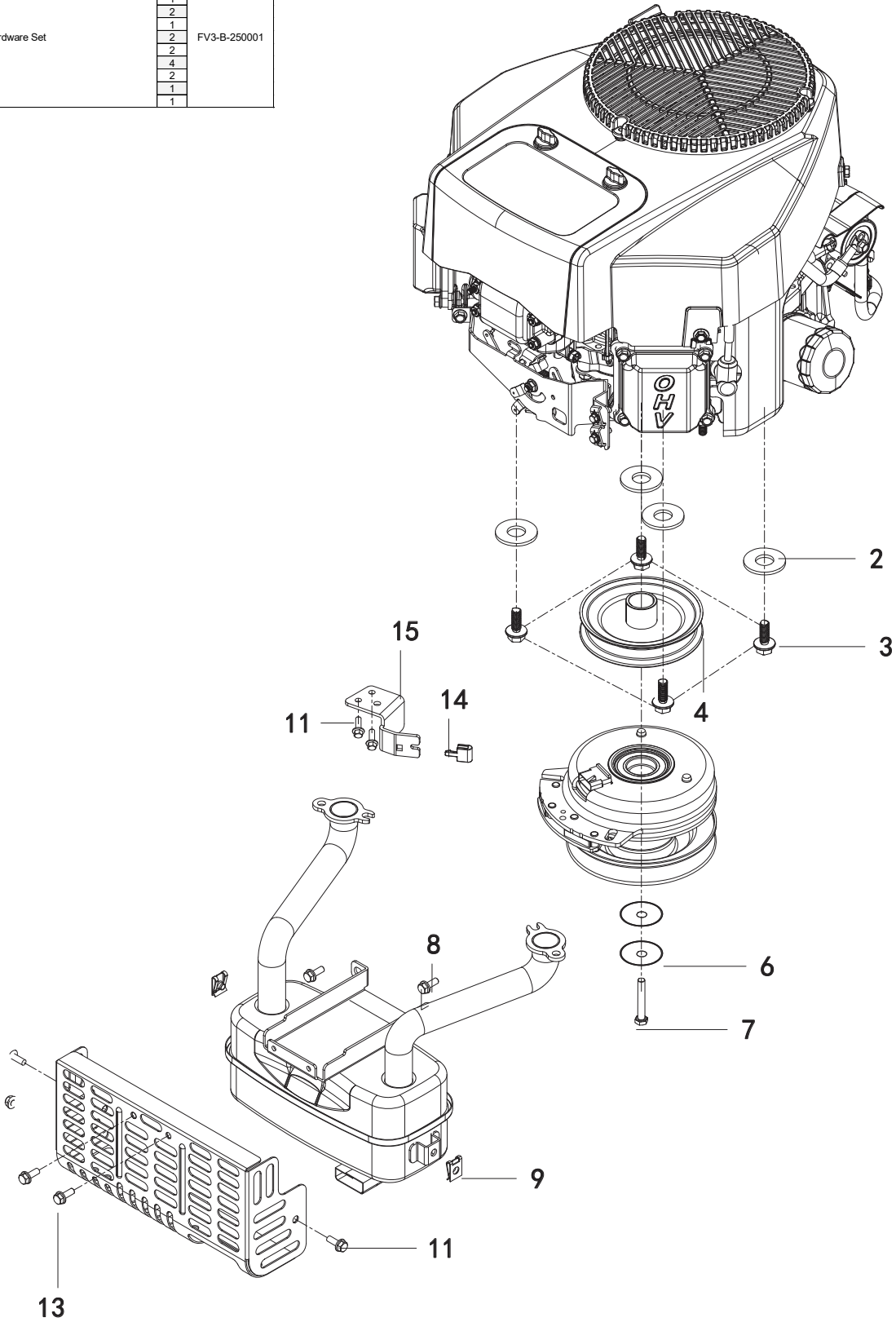
# Section B individual parts

Position	Description	QTY	Part Number
5	Blade Engagement Clutch	1	FV3-B-250002
10	Exhaust FV98	1	FV2-B-250003
12	Heat Shield FV98	1	FV2-B-250004



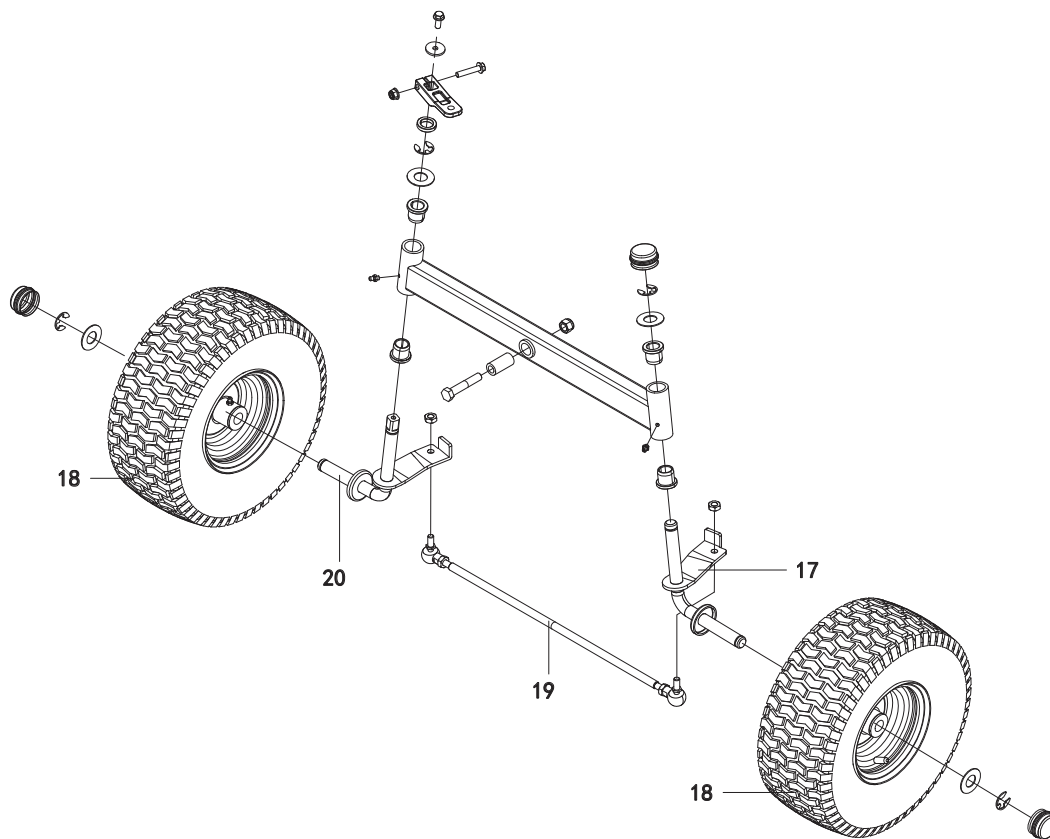
# Section B packaged parts

Position	Package 1 Description	QTY	Part Number
2		4	
3		2	
4		1	
6		2	
7		1	
8	Engine Hardware Set	2	FV3-B-250001
9		2	
11		4	
13		2	
14		1	
15		1	



# Section C individual parts

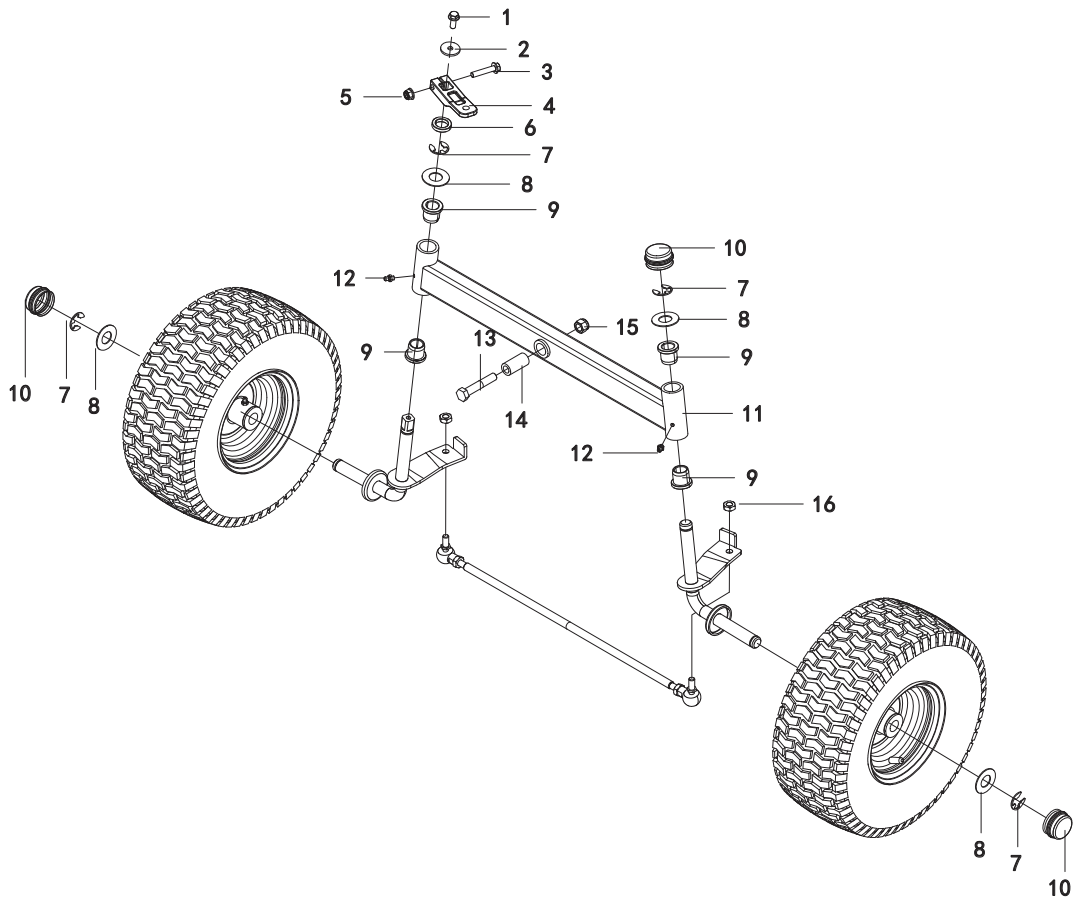
Position	Description	QTY	Part Number
17	Steering Arm Left	1	FV3-C-250003
18	Front Wheel & Tyre	1	FV3-C-250004
19	Tie Rod	1	FV3-C-250005
20	Steering Arm Right	1	FV3-C-250006



# Section C packaged parts

Package 1			
Position	Description	QTY	Part Number
1		1	
2		1	
3		1	
4		1	
5		1	
6		4	
7		4	
8	Front Axle Hardware Set	4	FV3-C-250001
9		4	
10		2	
13		1	
14		1	
15		1	
16		2	

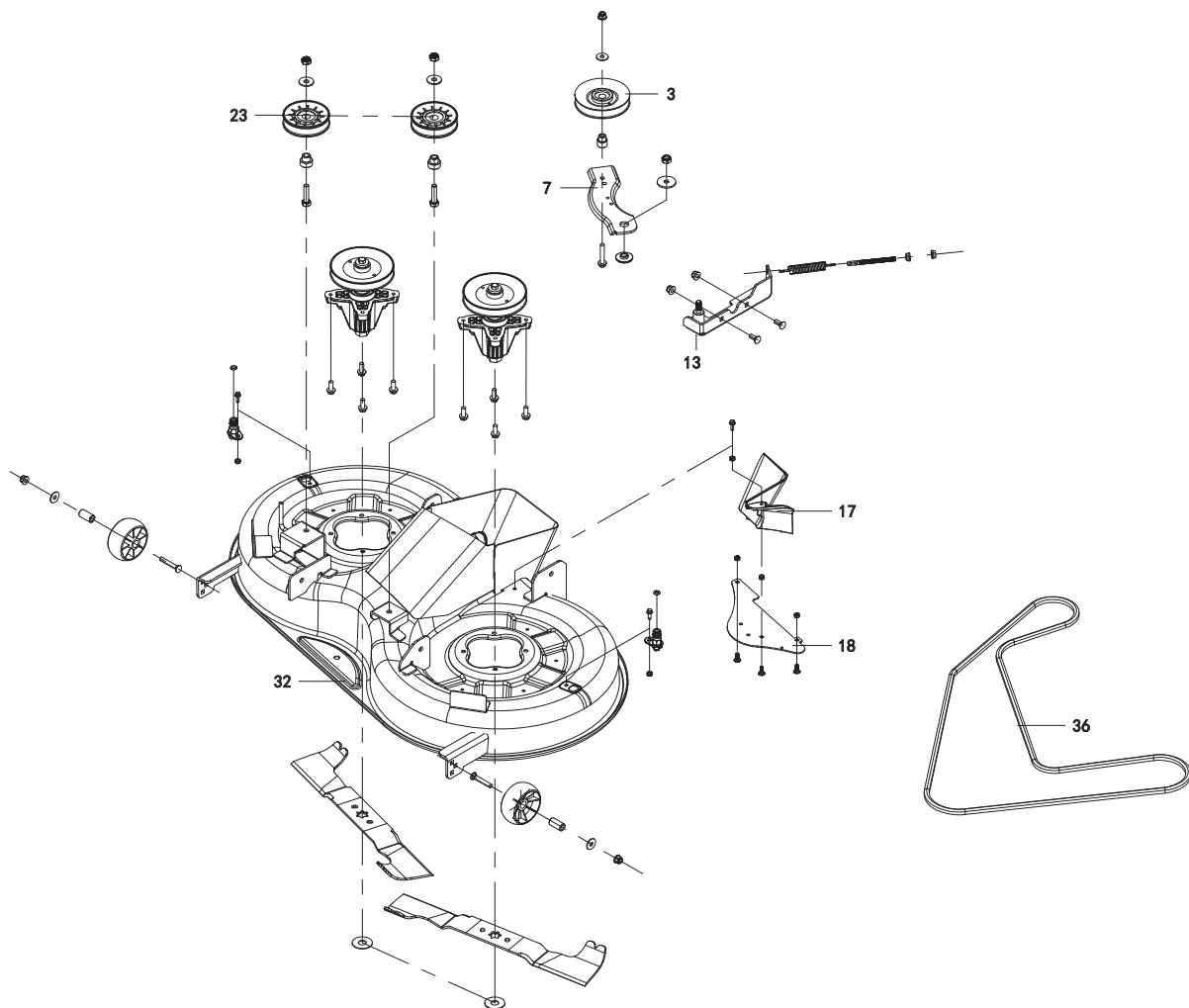
Package 2			
Position	Description	QTY	Part Number
11	Front Axle Set	1	FV3-C-250002
12		2	



# Section D individual parts

Position	Description	QTY	Part Number
3	Tensioner Pulley	1	FV3-D-250002
7	Tensioner Arm	1	FV3-D-250003
13	Tensioner Arm Bracket	1	FV3-D-250004
17	Cutting Deck Grass Deflector	1	FV3-D-250005
18	Deck Bracing Plate	1	FV3-D-250006
23	Cutting Deck Pulley	1	FV3-D-250007
32	Cutting Deck	1	FV3-D-250011
36	Cutting Deck Belt	1	FV3-D-250013

Position	Description	QTY	Part Number
A	Mulching kit	1	FV3-Z-250001



# Section D packaged parts

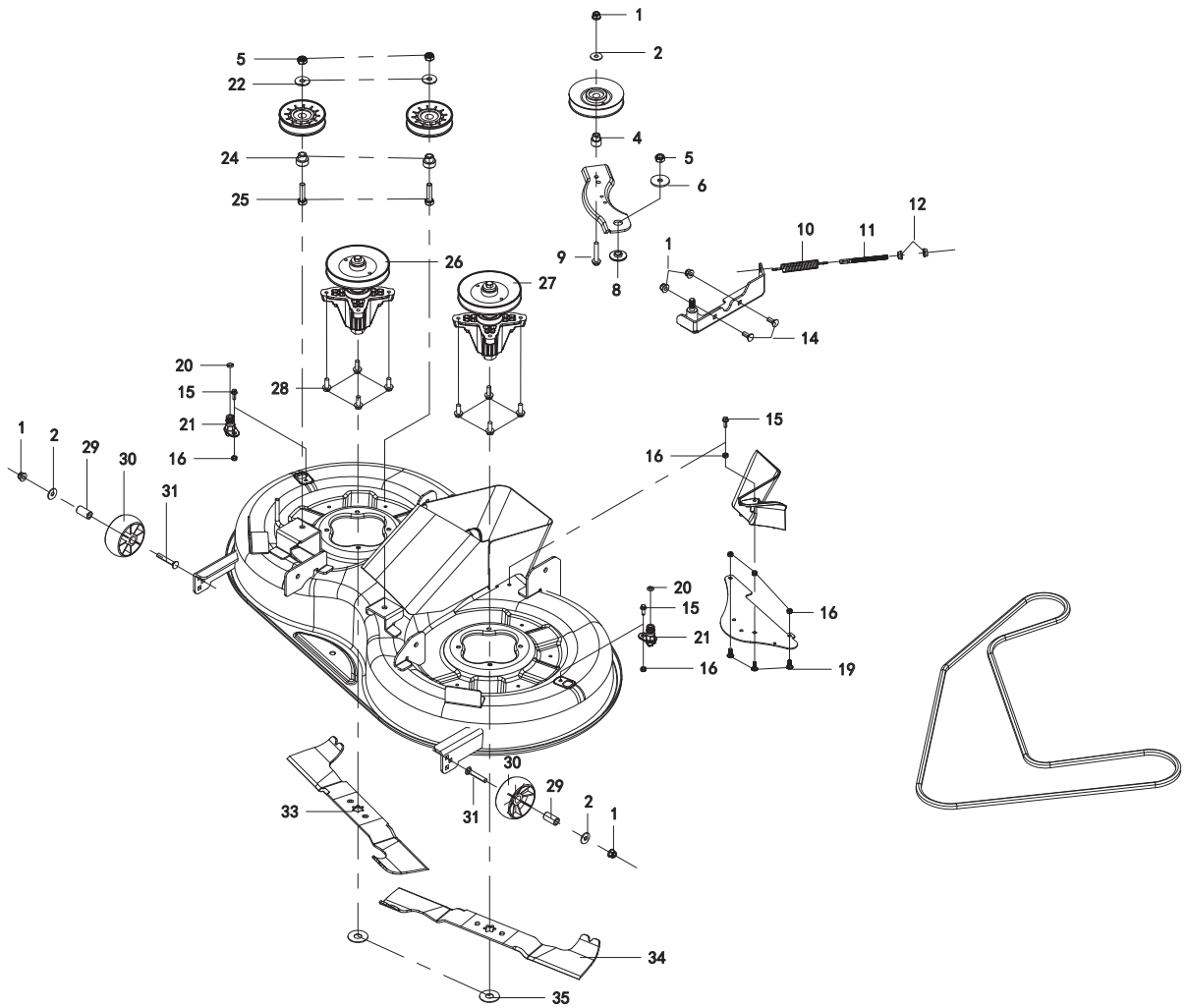
Package 1			
Position	Description	QTY	Part Number
1		5	
2		3	
4		1	
5		3	
6		1	
8		1	
9		1	
10		1	
11		1	
12	Cutting Deck Hardware Set	2	FV3-D-250001
14		2	
15		3	
16		6	
19		3	
20		2	
21		2	
22		2	
24		2	
25		2	

Package 2			
Position	Description	QTY	Part Number
26	Shaft Assembly Right	1	FV3-D-250008
28		4	

Package 3			
Position	Description	QTY	Part Number
27	Shaft Assembly Left	1	FV3-D-250009
28		4	

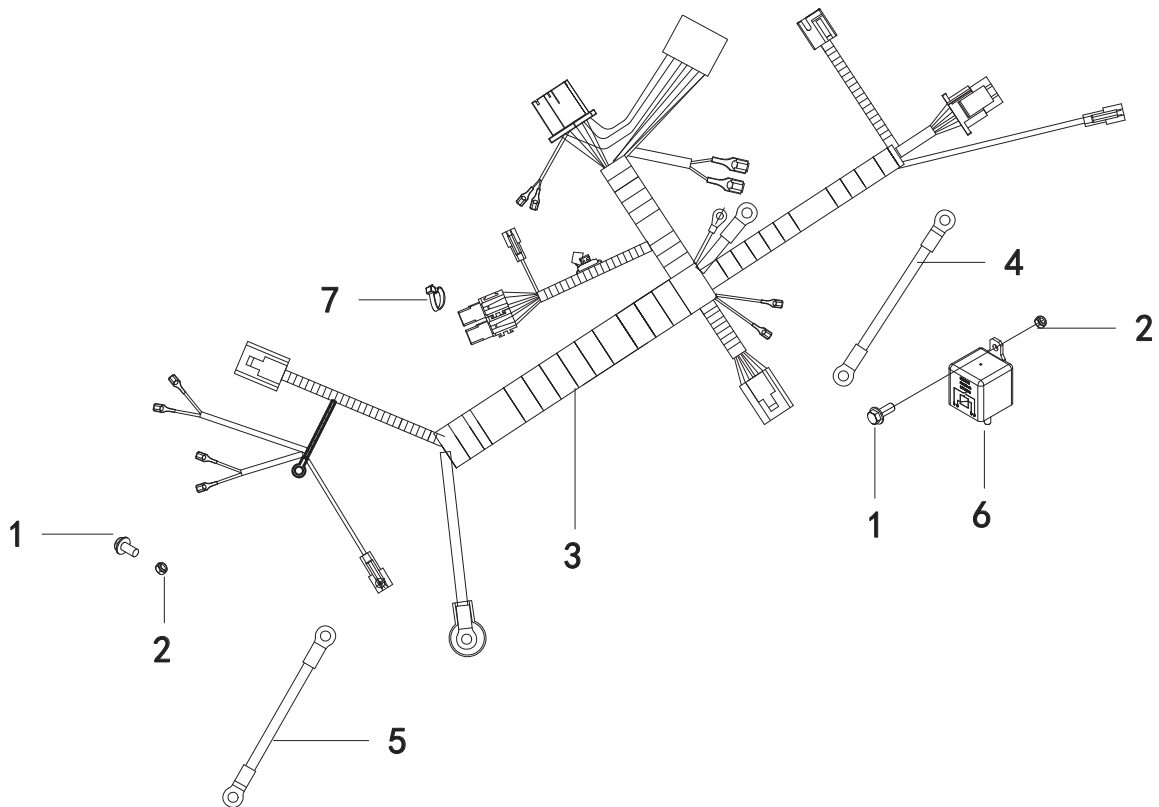
Package 4			
Position	Description	QTY	Part Number
1		5	
2		3	
29	Cutting Deck Wheel Assembly	2	FV3-D-250010
30		2	
31		2	

Package 5			
Position	Description	QTY	Part Number
33		1	
34	Cutting Blade Set WITHOUT BOLTS	1	FV3-D-250012
35		2	



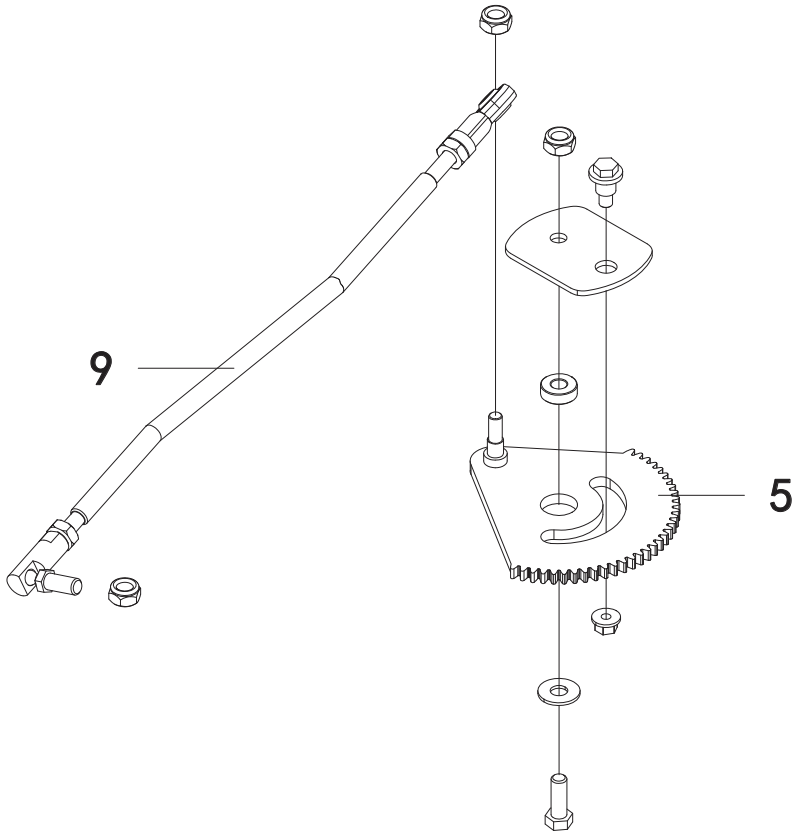
# Section E packaged parts

Position	Package 1 Description	QTY	Part Number
1		2	
2		4	
3		1	
4	Electrical Assembly	1	FV3-E-250001
5		1	
6		1	
7		2	



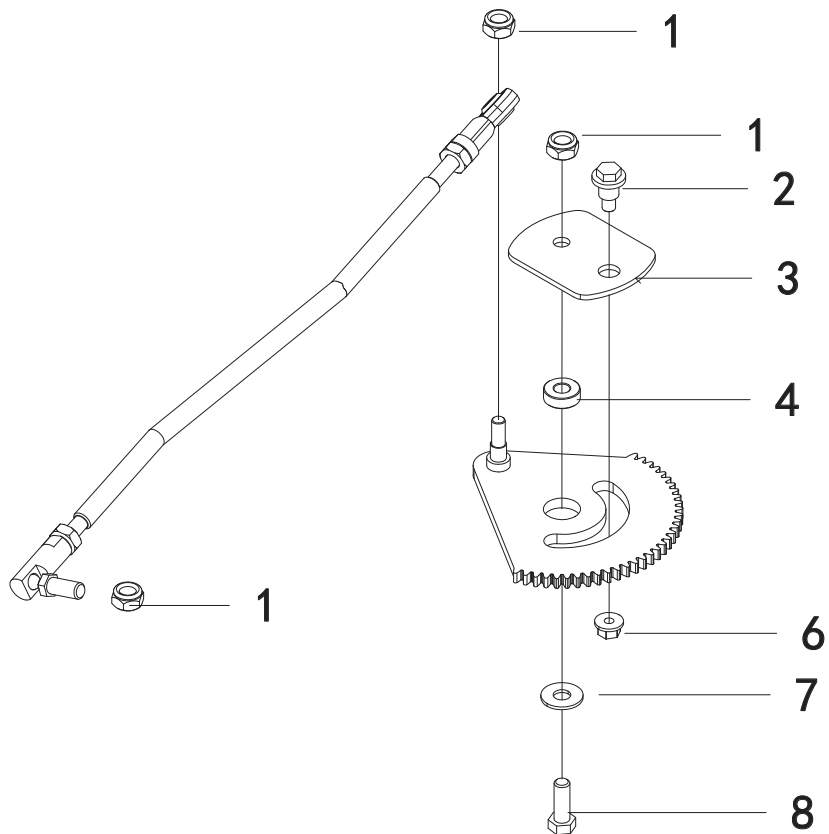
# Section F individual parts

Position	Description	QTY	Part Number
5	Steering Quadrant	1	FV3-F-250002
9	Steering Arm	1	FV3-F-250003



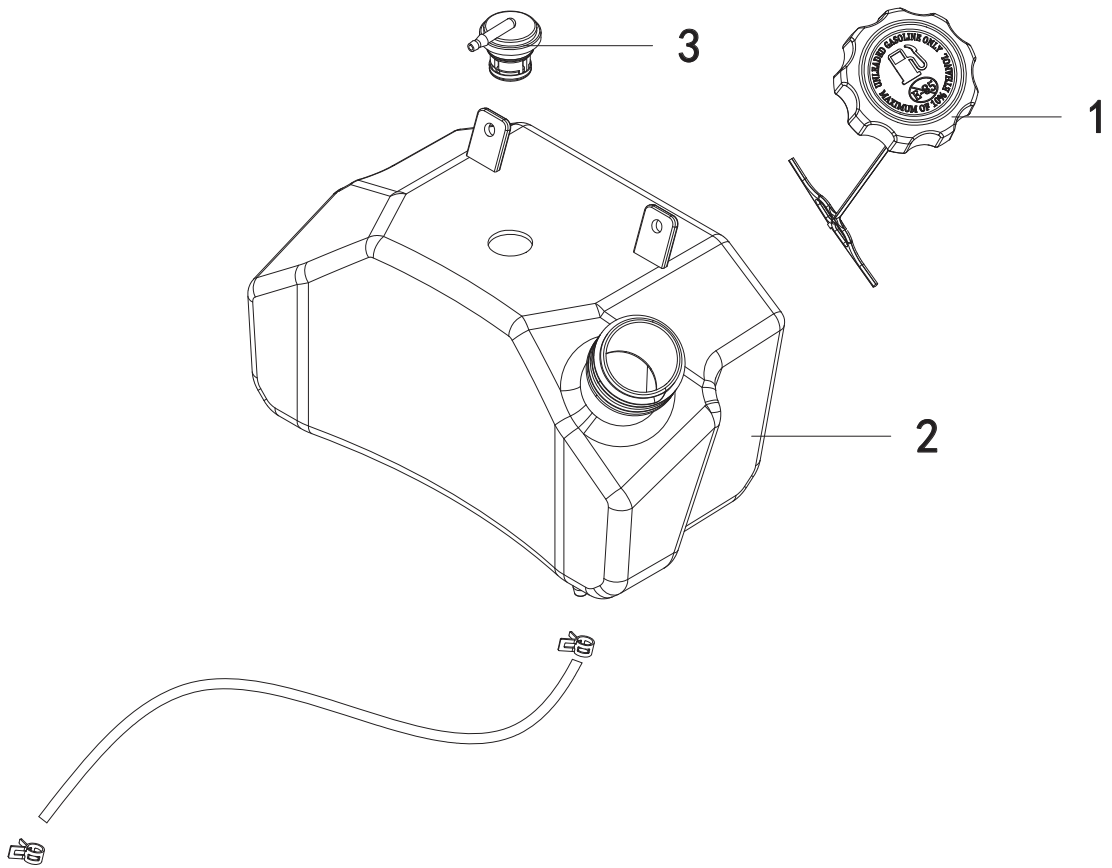
# Section F packaged parts

Position	Package 1 Description	QTY	Part Number
1		3	
2		1	
3		1	
4	Steering Quadrant Hardware Set	1	FV3-F-250001
6		1	
7		1	
8		1	



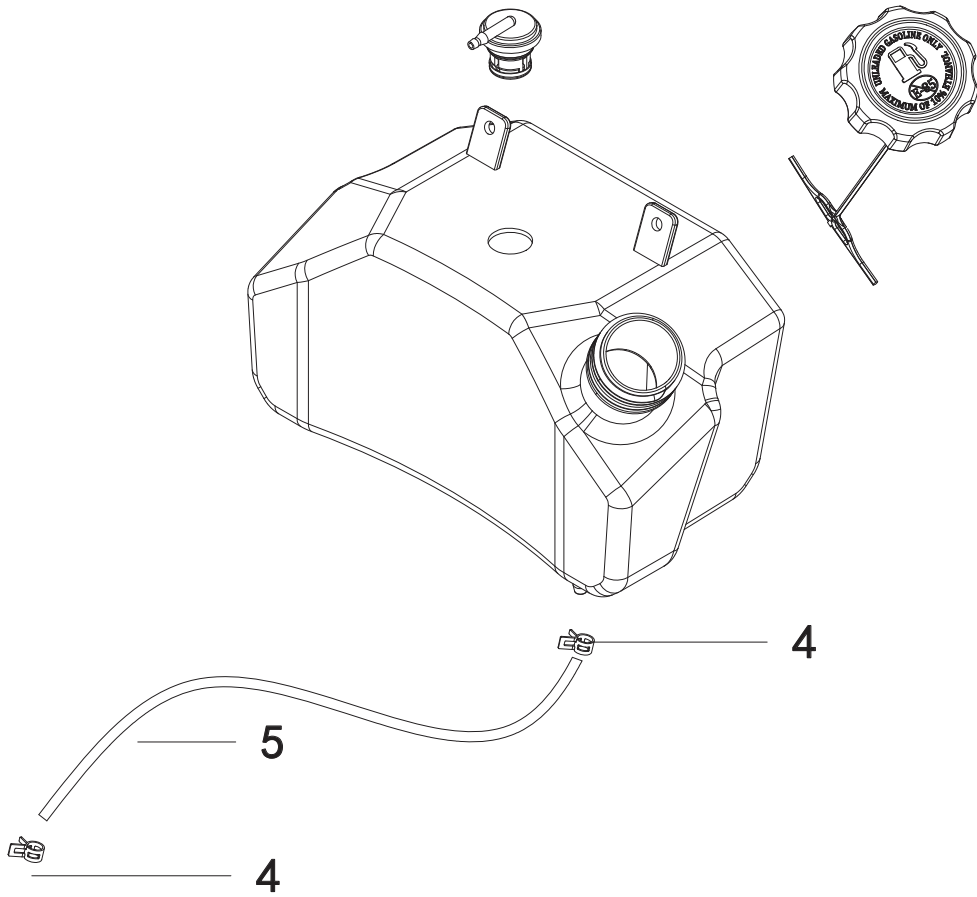
# Section G individual parts

Position	Description	QTY	Part Number
1	Fuel Cap	1	FV3-G-250001
2	Fuel Tank	1	FV3-G-250002
3	Fuel Tank Breather	1	FV3-G-250003



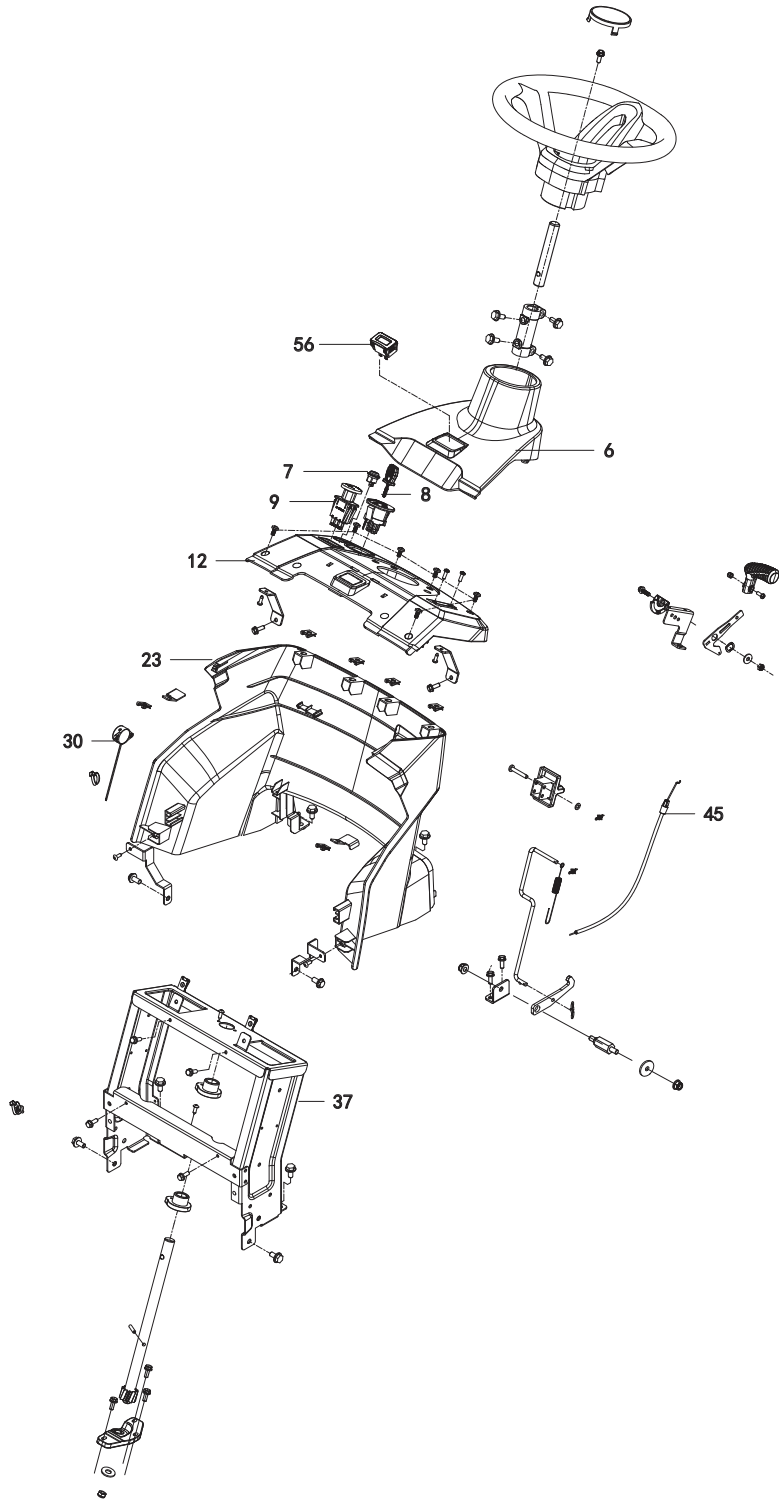
# Section G packaged parts

Position	Package 1 Description	QTY	Part Number
4		2	
5	Fuel Line Assembly	1	FV3-G-250004



# Section H individual parts

Position	Description	QTY	Part Number
6	Steering Wheel Shroud	1	FV3-H-250002
7	M-L-R Switch	1	FV3-H-250003
8	Ignition Key	1	FV3-H-250004
9	PTO Switch	1	FV3-H-250005
12	Dashboard	1	FV3-H-250007
23	Bulk Head	1	FV3-H-250009
30	Alarm Buzzer	1	FV3-H-250011
37	Bulkhead Frame	1	FV3-H-250012
45	Parking Brake Cable	1	FV3-H-250014
56	Hour Meter	1	FV3-H-250015



# Section H packaged parts

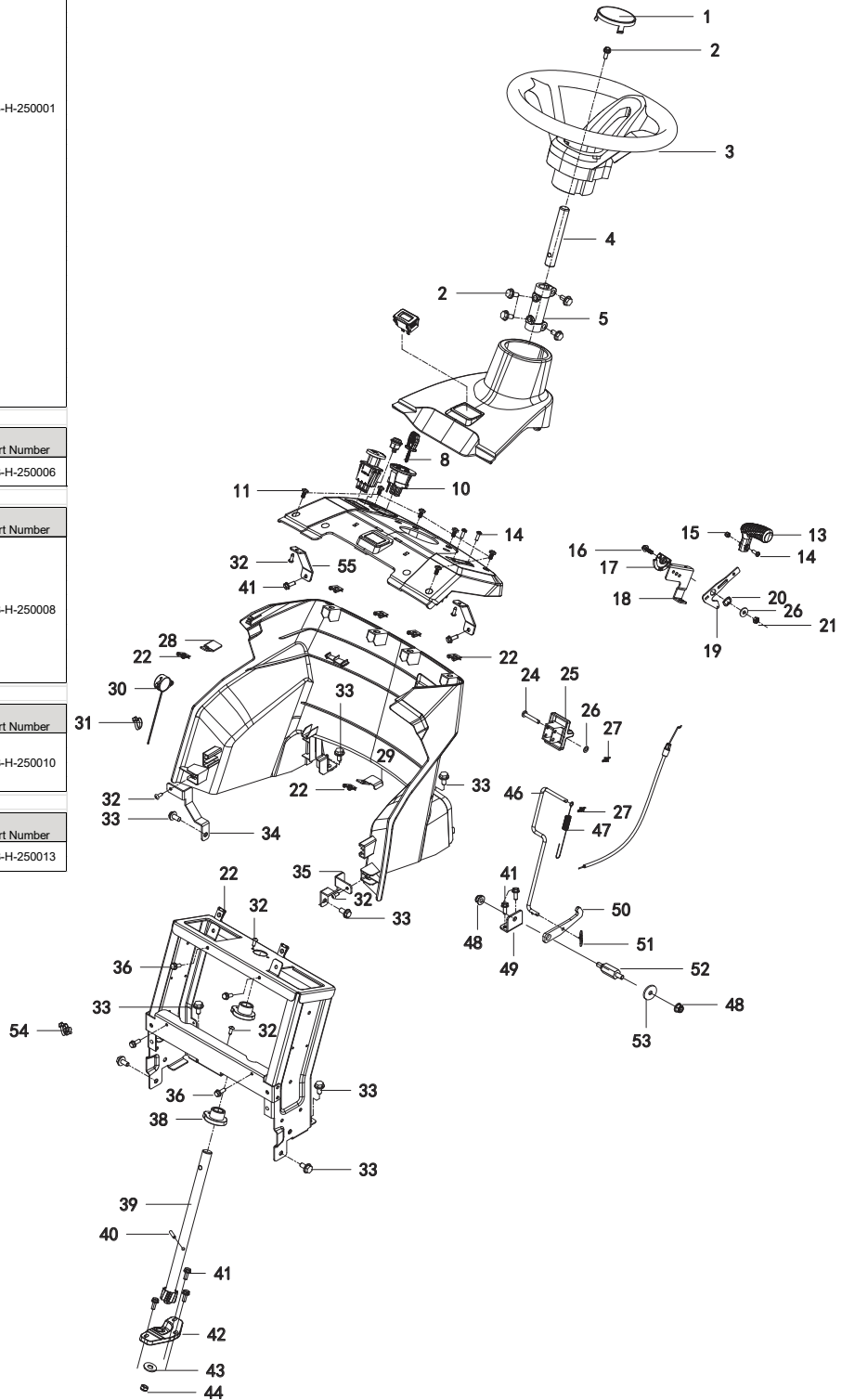
Package 1			
Position	Description	QTY	Part Number
1		1	
2		5	
3		1	
4		1	
5		1	
11		8	
14		3	
15		1	
16		1	
17		1	
19		1	
20		1	
21		1	
22		8	
24		1	
26		2	
27		2	
28		1	
29		1	
31		1	
32	Steering Column Hardware Set	6	FV3-H-250001
33		4	
34		1	
35		1	
36		8	
38		2	
40		1	
41		8	
42		1	
43		1	
44		1	
46		1	
47		1	
48		2	
49		1	
50		1	
51		1	
52		1	
53		1	
54		1	
55		2	

Package 2			
Position	Description	QTY	Part Number
8	Ignition Switch & Key	1	FV3-H-250006
10		1	

Package 3			
Position	Description	QTY	Part Number
13		1	
14		3	
15		1	
16		1	
17	Throttle Assembly	1	FV3-H-250008
18		1	
19		1	
20		1	
21		1	
26		1	

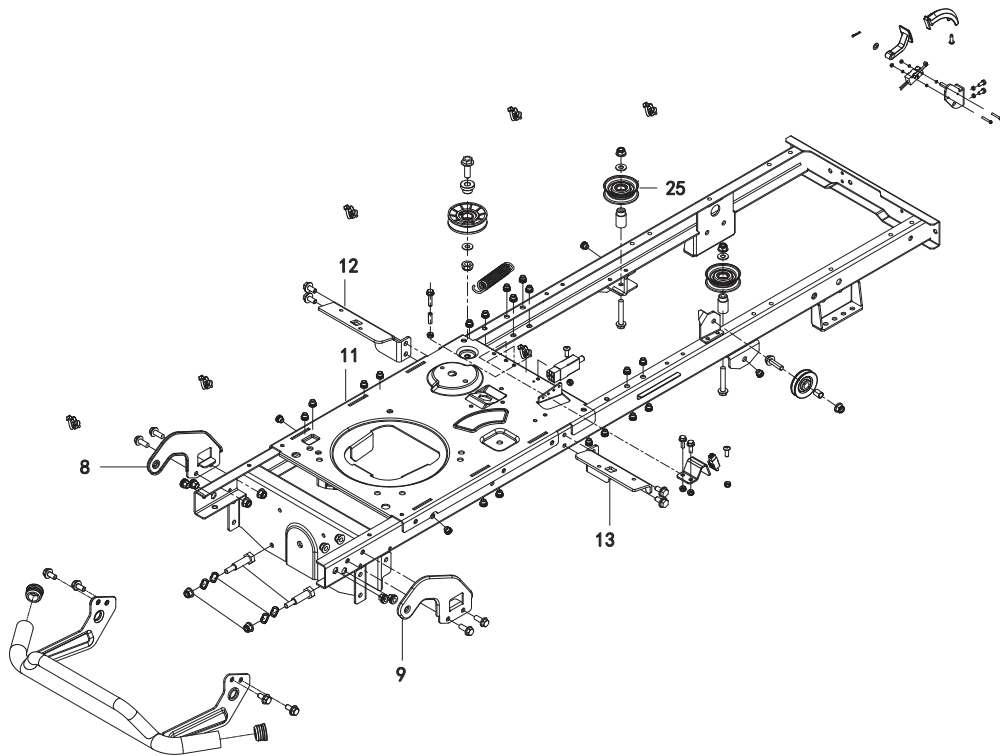
Package 4			
Position	Description	QTY	Part Number
24	Parking Brake Lever	1	FV3-H-250010
26		2	
27		2	

Package 5			
Position	Description	QTY	Part Number
39	Lower Steering Shaft	1	FV3-H-250013
40		1	



# Section I individual parts

Position	Description	QTY	Part Number
8	Bonnet Hinge Bracket Right	1	FV3-l-250003
9	Bonnet Hinge Bracket Left	1	FV3-l-250004
11	Chassis	1	FV3-l-250005
12	Foot Plate Mounting Bracket Right	1	FV3-l-250006
13	Foot Plate Mounting Bracket Left	1	FV3-l-250007
25	Rear Tensioner Pulley	1	FV3-l-250011



# Section I packaged parts

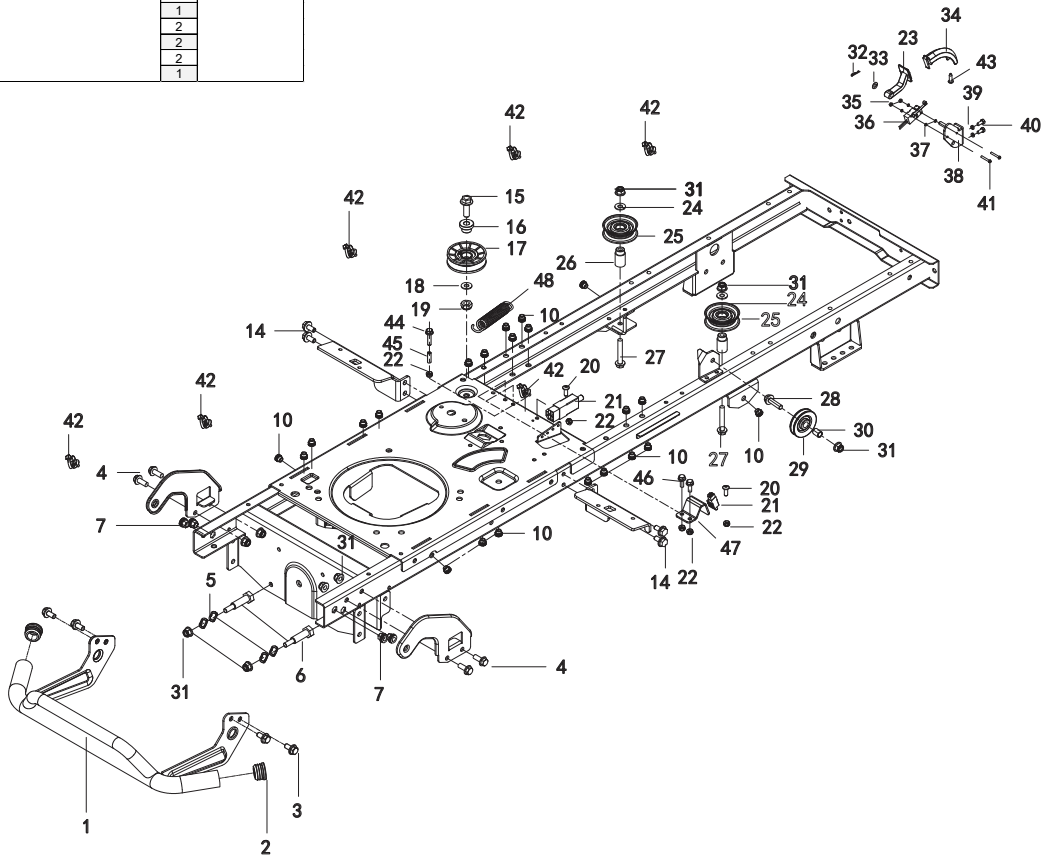
Package 1			
Position	Description	QTY	Part Number
1		1	
2	Front Bumper Assembly	2	FV3-I-250001
3		4	

Package 5			
Position	Description	QTY	Part Number
24		1	
25	Rear Tensioner Assembly	1	FV3-I-250010
26		1	
27		1	

Package 2			
Position	Description	QTY	Part Number
2		2	
3		4	
4		4	
5		4	
6		2	
10		4	
14		22	
20		4	
15		1	
16		1	
18	Chassis Hardware Set	1	FV3-I-250002
19		1	
21		2	
22		2	
42		3	
31		8	
44		1	
45		1	
46		2	
47		2	
48		1	

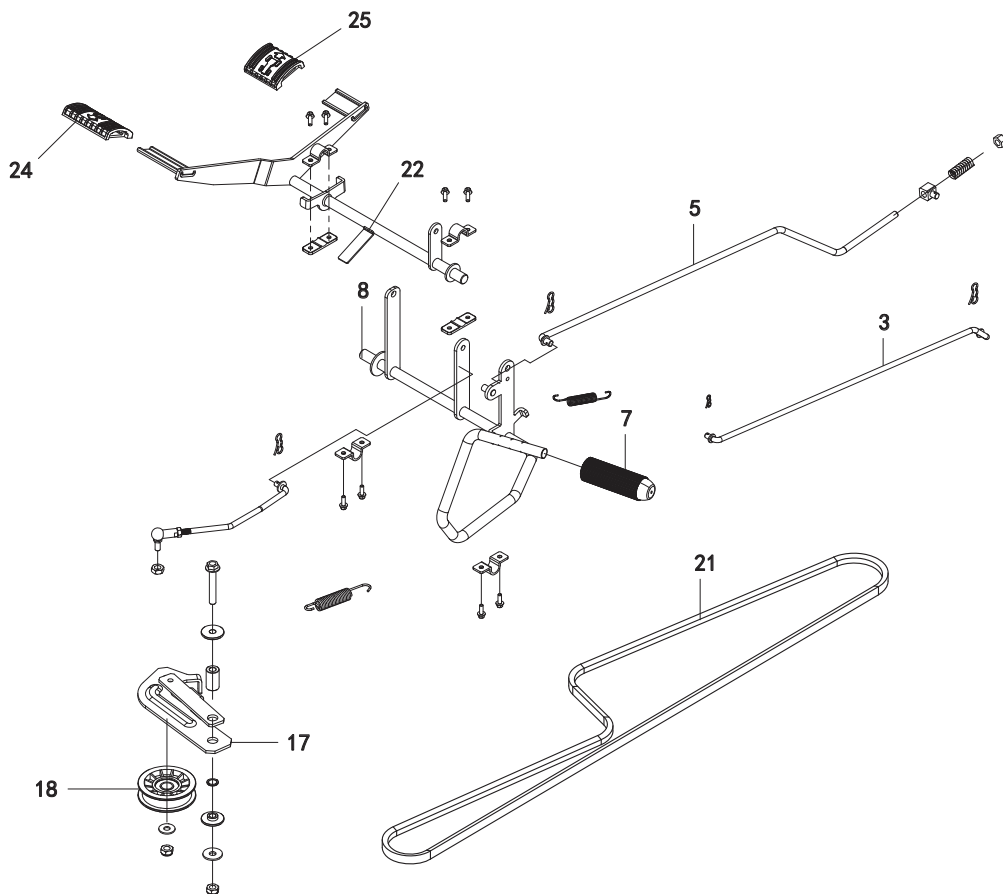
Package 3			
Position	Description	QTY	Part Number
15		1	
16		1	
17	Front Tensioner Assembly	1	FV3-I-250008
18		1	
19		1	

Package 4			
Position	Description	QTY	Part Number
23		1	
32		1	
33		1	
34		1	
35		2	
36	Catcher Full Switch Assembly	1	FV3-I-250009
37		4	
38		1	
39		2	
40		2	
41		2	
43		1	



# Section J individual parts

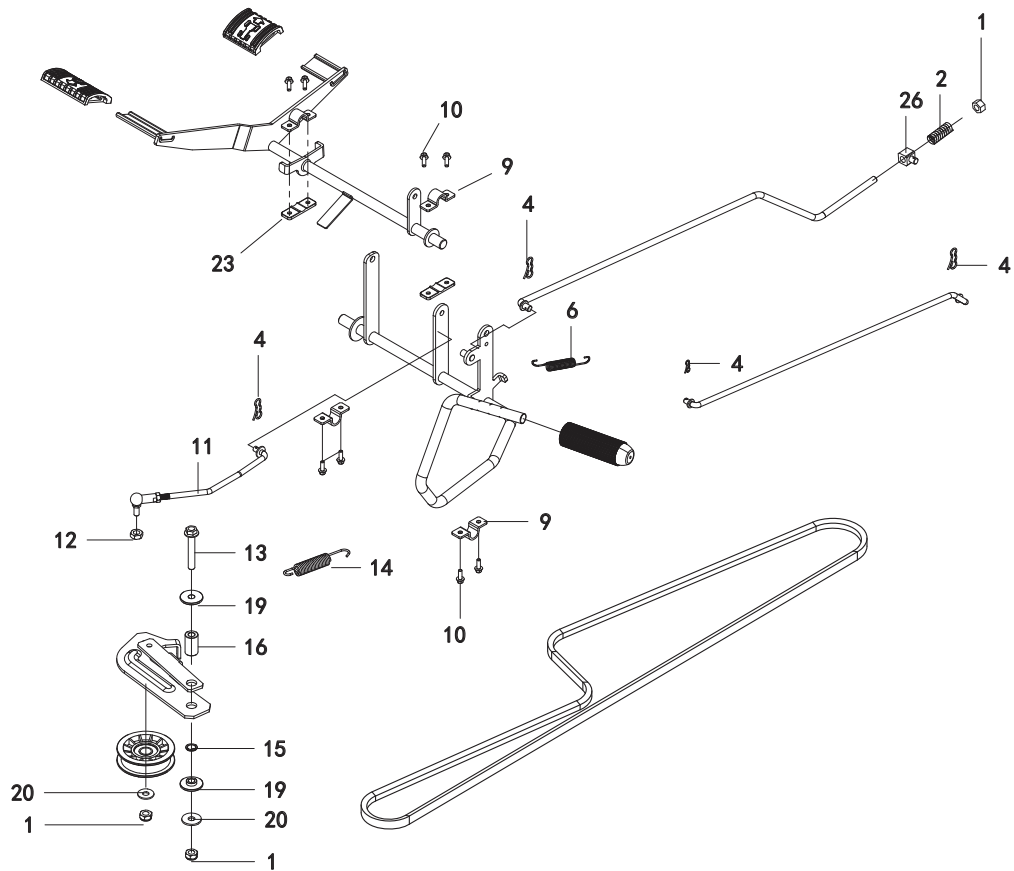
Position	Description	QTY	Part Number
3	Transmission Control Rod	1	FV3-J-250002
5	Transmission Control Rod	1	FV3-J-250003
7	Clutch Pedal	1	FV3-J-250004
8	Transmission Frame	1	FV3-J-250005
17	Transmission Arm	1	FV3-J-250007
18	Transmission Pulley	1	FV3-J-250008
21	Transmission Belt	1	FV3-J-250009
22	Hydrostatic Control Arm	1	FV3-J-250010
24	Forward Foot Pedal	1	FV3-J-250011
25	Reverse Foot Pedal	1	FV3-J-250012



# Section J packaged parts

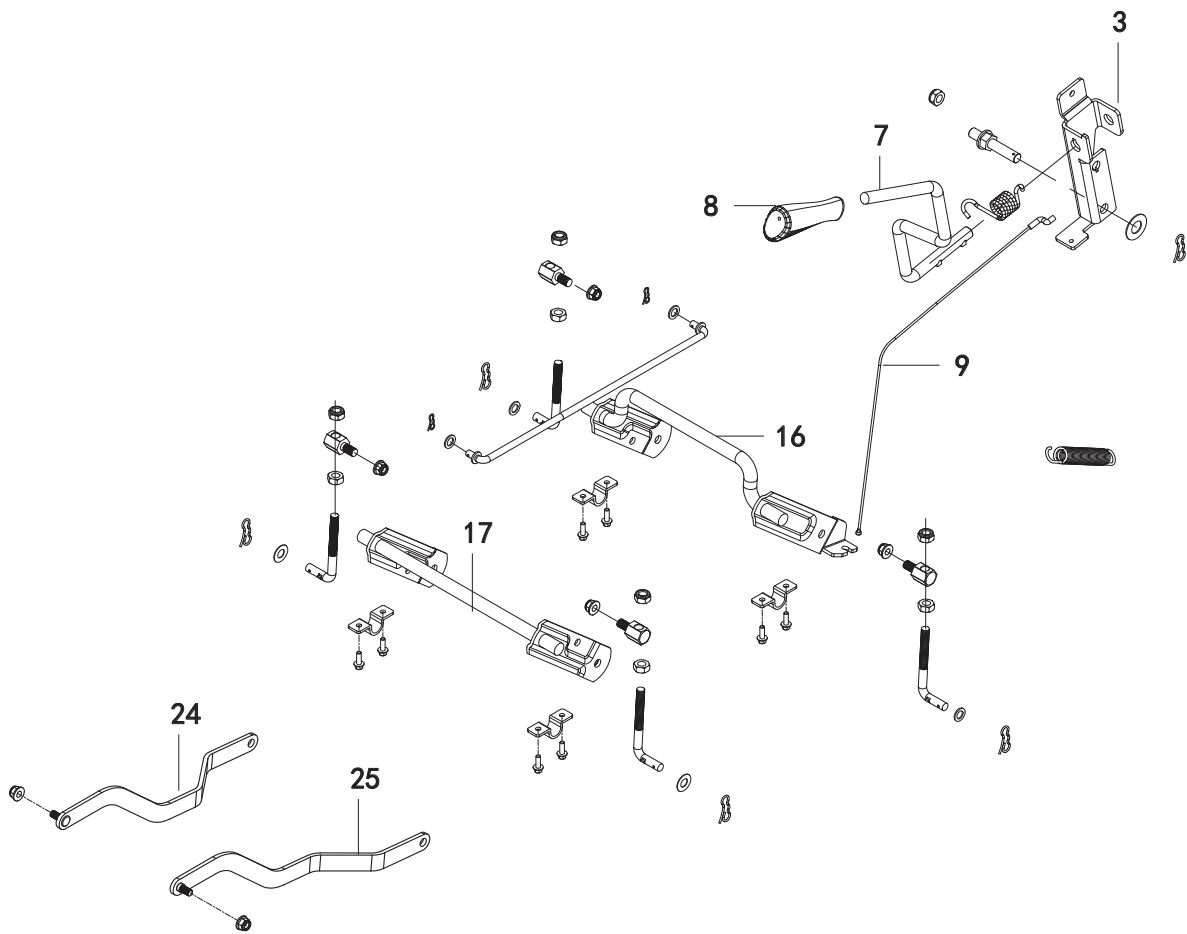
Package 1			
Position	Description	QTY	Part Number
1		3	
2		1	
4		4	
6		1	
9		4	
10		4	
13	Transmission Hardware Set	1	FV3-J-250001
14		1	
15		1	
16		1	
19		2	
20		2	
23		2	
26		1	

Package 2			
Position	Description	QTY	Part Number
11	Transmission Control Rod	1	FV3-J-250006
12		1	



# Section K individual parts

Position	Description	QTY	Part Number
3	Height Adjuster Control Arm Bracket	1	FV3-K-250002
7	Height Adjuster Control Arm	1	FV3-K-250003
8	Height Adjuster Control Arm Handle	1	FV3-K-250004
9	Height Adjuster Cable	1	FV3-K-250006
16	Height Adjuster Rear Frame	1	FV3-K-250007
17	Height Adjuster Front Frame	1	FV3-K-250008
24	Height Adjuster Front Arm Right	1	FV3-K-250009
25	Height Adjuster Front Arm Left	1	FV3-K-250010

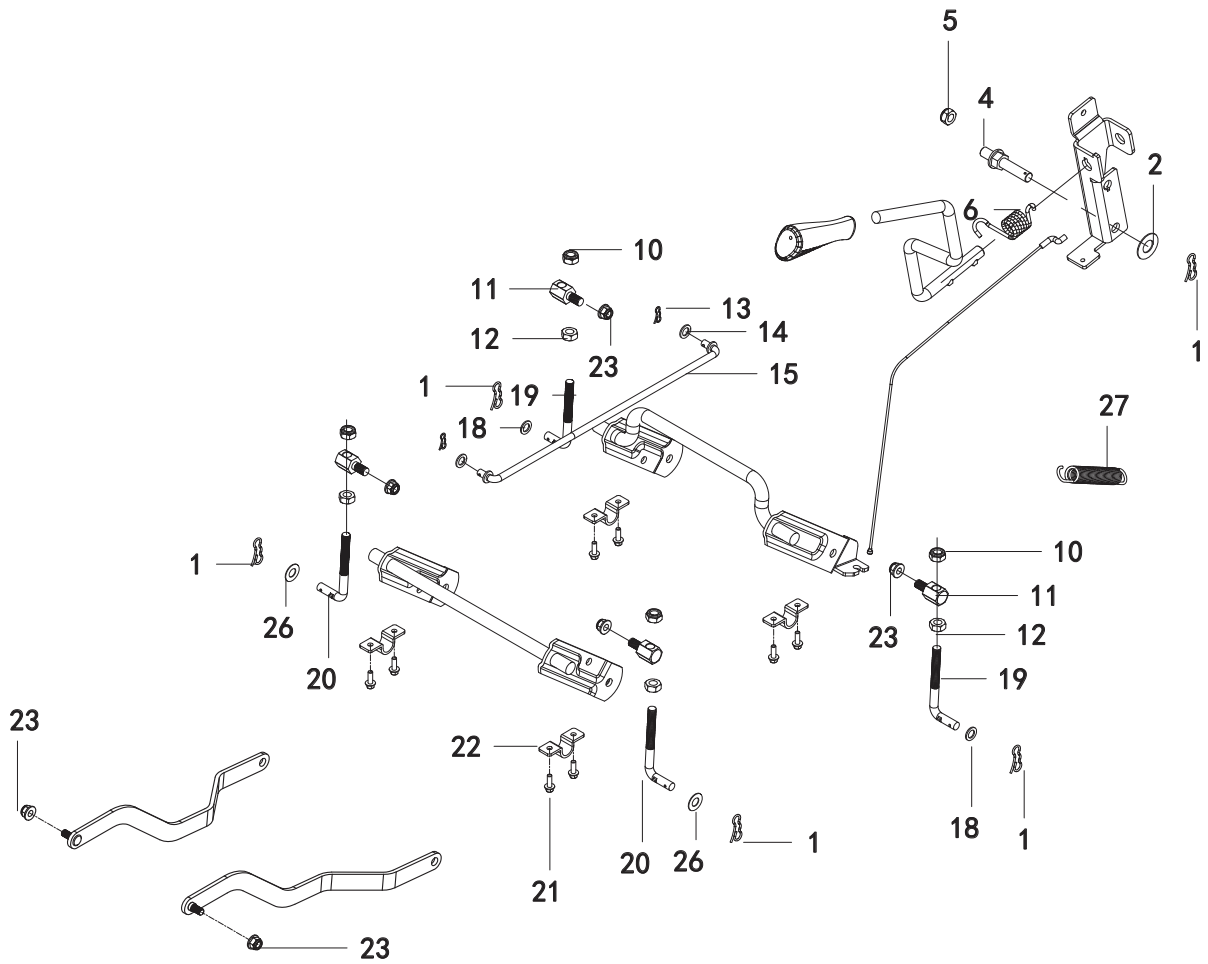


# Section K packaged parts

Package 1			
Position	Description	QTY	Part Number
1		5	
2		1	
4		12	
5		1	
6		1	
10		4	
11		4	
12		4	
13	Height Adjuster Hardware Set	2	FV3-K-250001
14		2	
18		2	
19		2	
20		2	
21		8	
22		4	
23		2	
26		2	

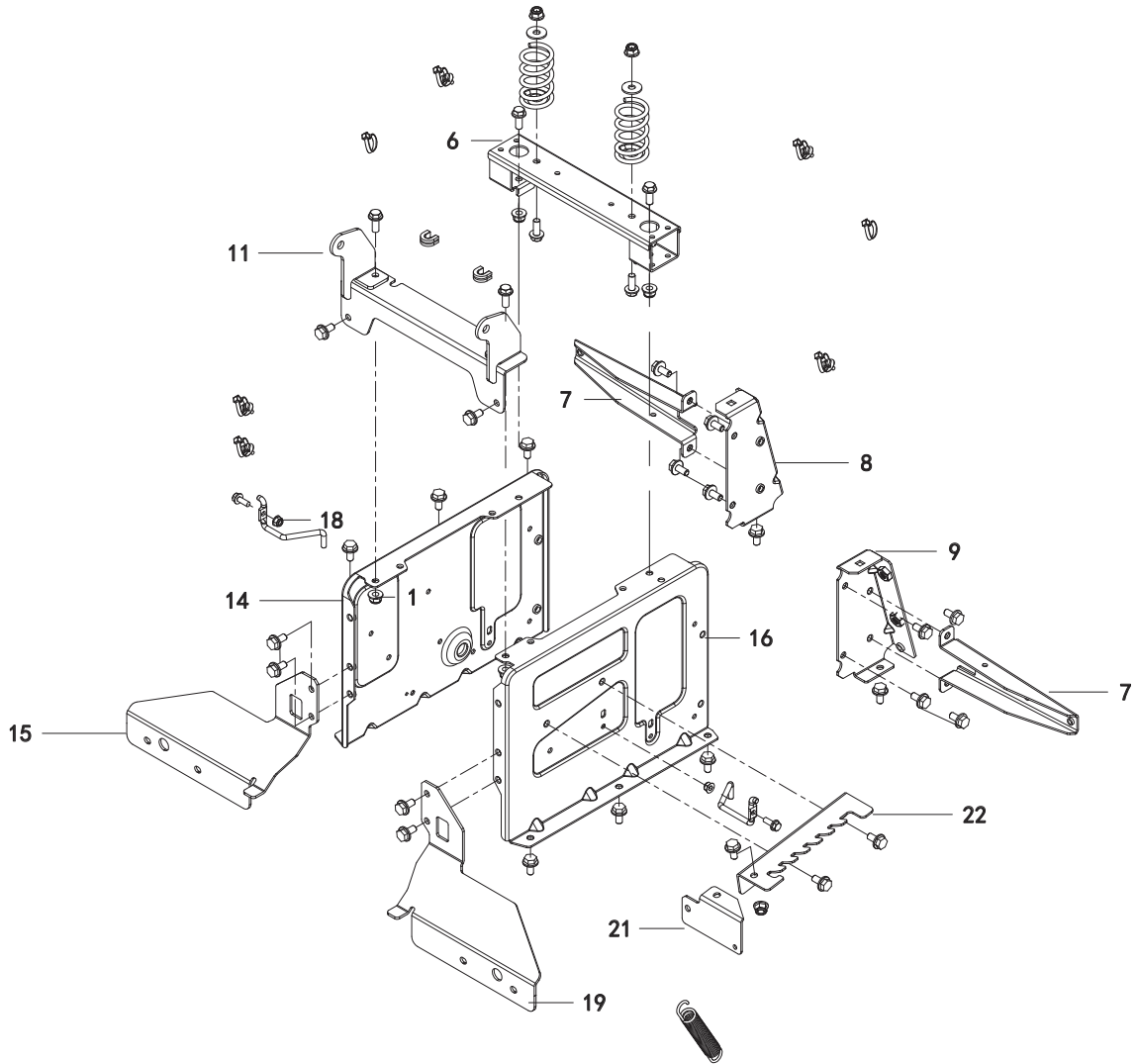
  

Package 2			
Position	Description	QTY	Part Number
13		2	
14	Height Adjuster Connecting Rod Assembly	2	FV3-K-250006
15		1	



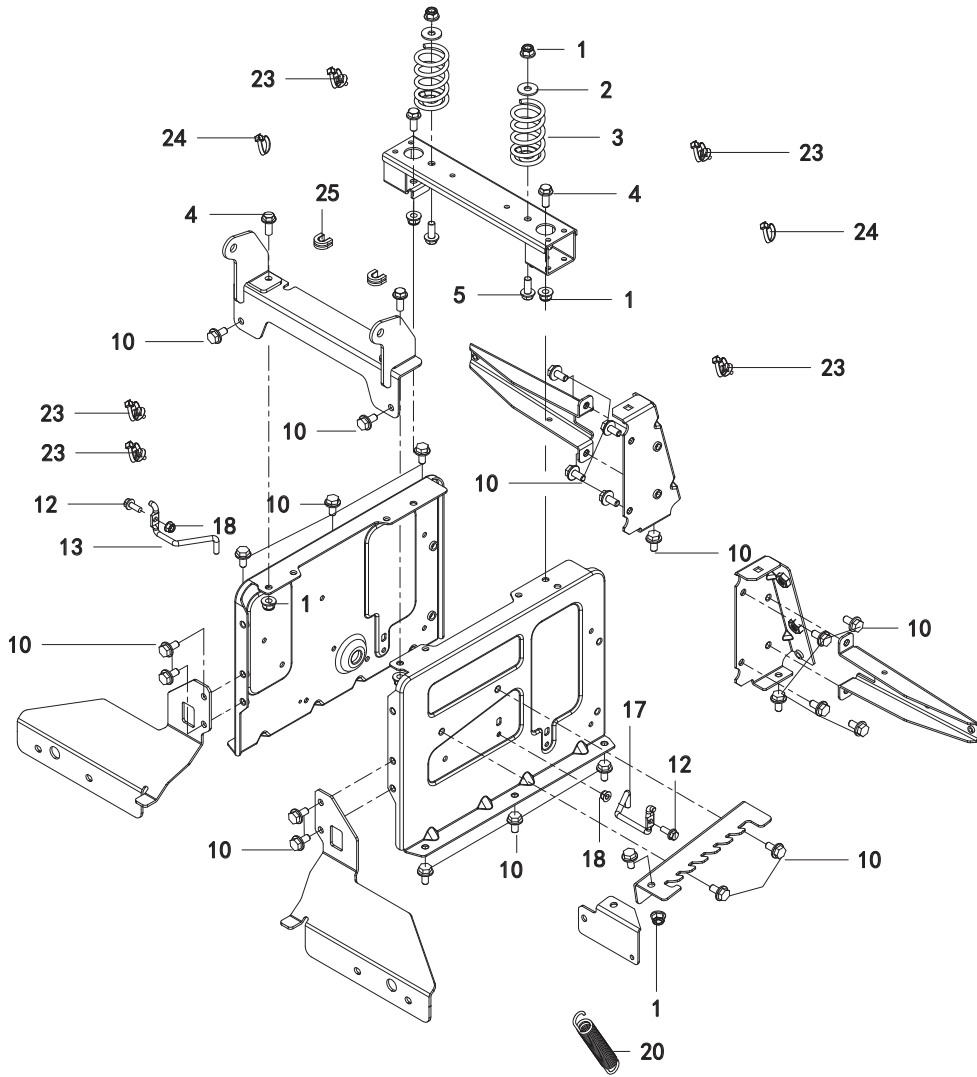
# Section L individual parts

Position	Description	QTY	Part Number
6	Seat Frame Bracket	1	FV3-L-250002
7	Seat Frame Wheel Arch Support Rear	1	FV3-L-250003
8	Frame Inner Support Right	1	FV3-L-250004
9	Frame Inner Support Left	1	FV3-L-250005
11	Seat Frame Bracket	1	FV3-L-250006
14	Seat Frame Main Support Right	1	FV3-L-250007
15	Seat Frame Wheel Arch Support Front Right	1	FV3-L-250008
16	Seat Frame Main Support Left	1	FV3-L-250009
19	Seat Frame Wheel Arch Support Front Left	1	FV3-L-250010
21	Height Adjust Module Mount	1	FV3-L-250011
22	Height Adjust Module	1	FV3-L-250012



# Section L packaged parts

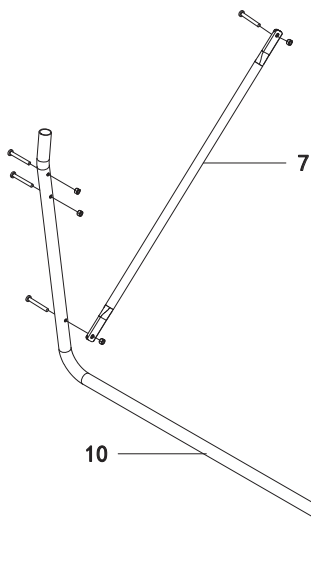
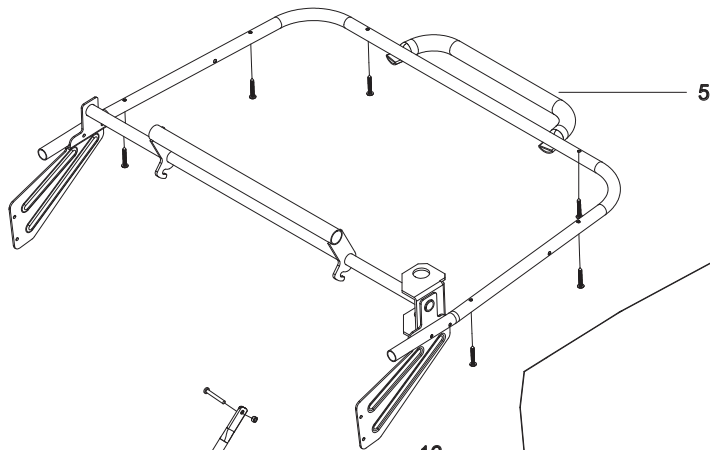
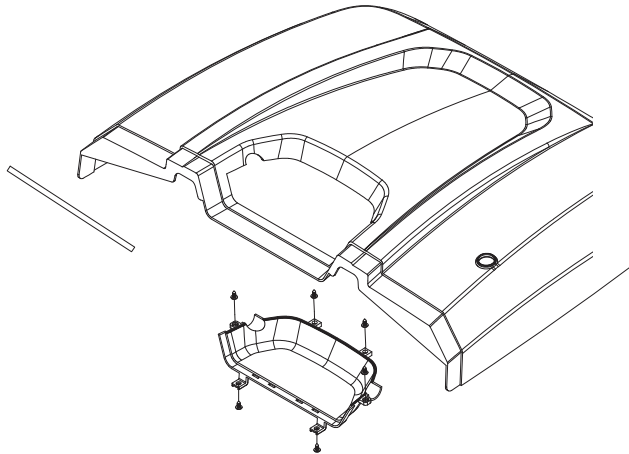
Position	Package 1 Description	QTY	Part Number
1		7	
2		2	
3		2	
4		5	
5		2	
10		24	
12		2	
13	Seat Frame Hardware Set	1	FV3-L-250001
17		1	
18		3	
20		1	
23		5	
24		2	
25		2	



# Section M individual parts

Package 1			
Position	Description	QTY	Part Number
1		1	
2		1	
3	Grass Catcher Top Assembly	6	FV3-M-250001
4		1	

Position	Description	QTY	Part Number
A	Mulching Kit	1	FV3-Z-250001

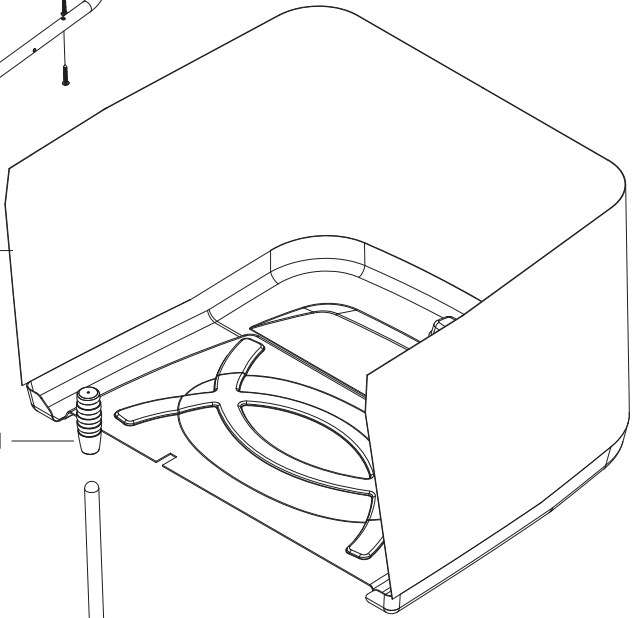


12

11

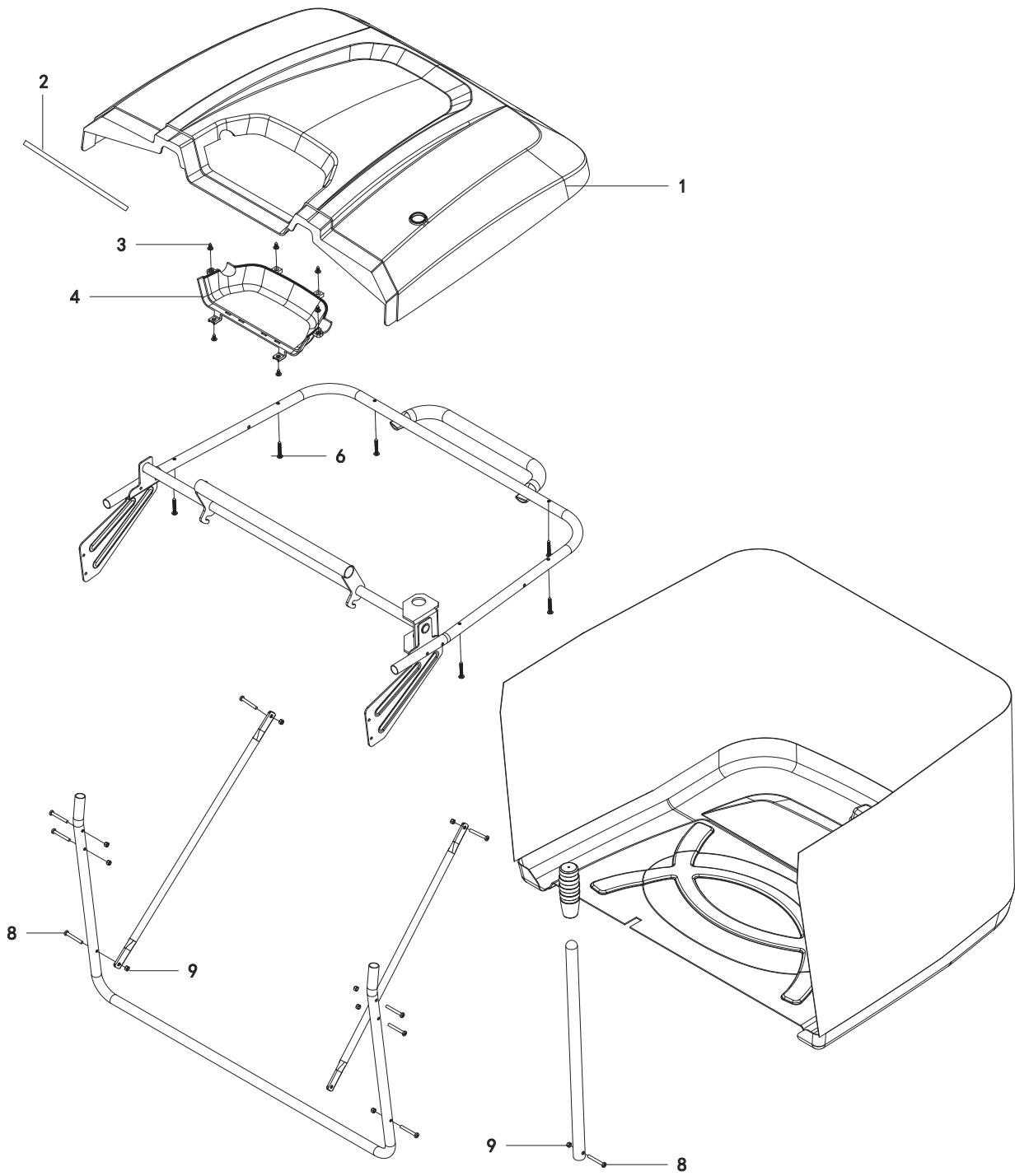
10

13



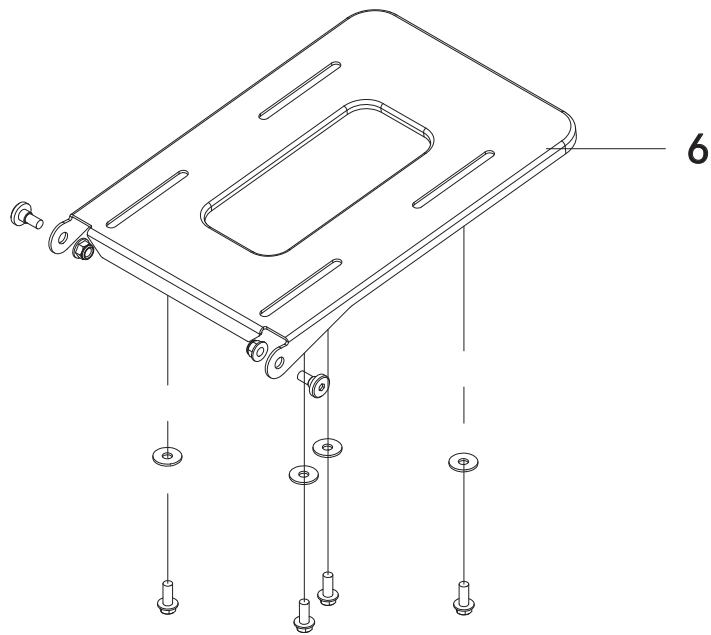
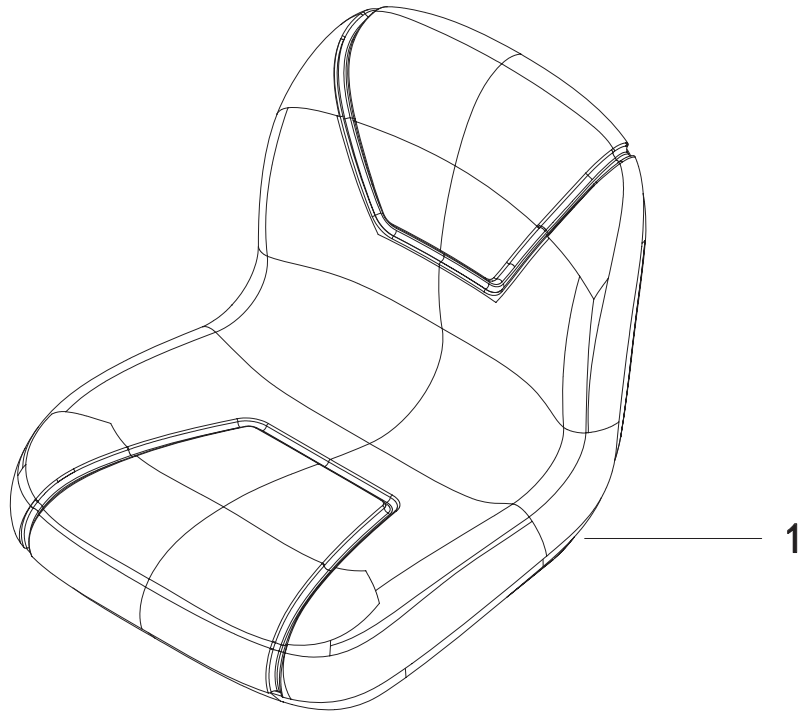
# Section M packaged parts

Position	Package 2 Description	QTY	Part Number
3		6	
6		6	
8	Grass Catcher Hardware Set	9	FV3-M-250003
9		9	



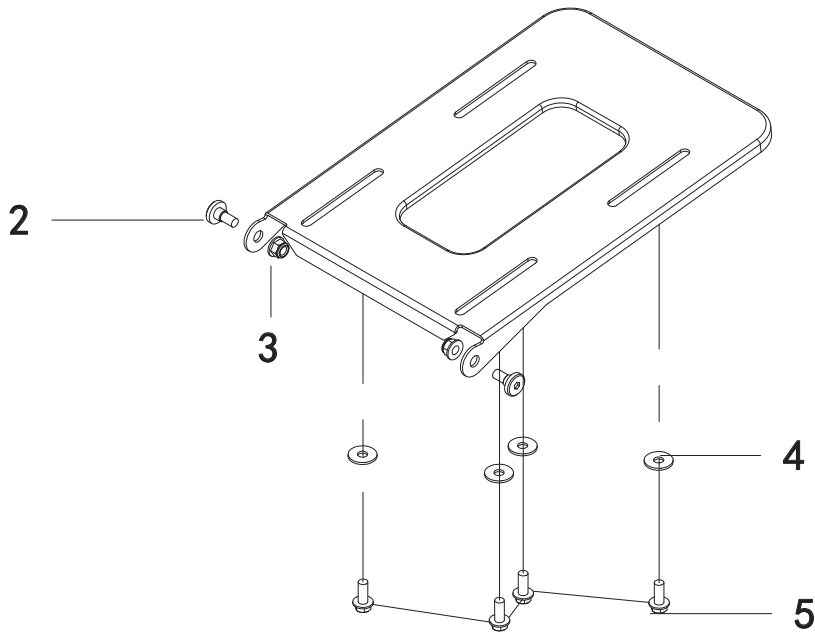
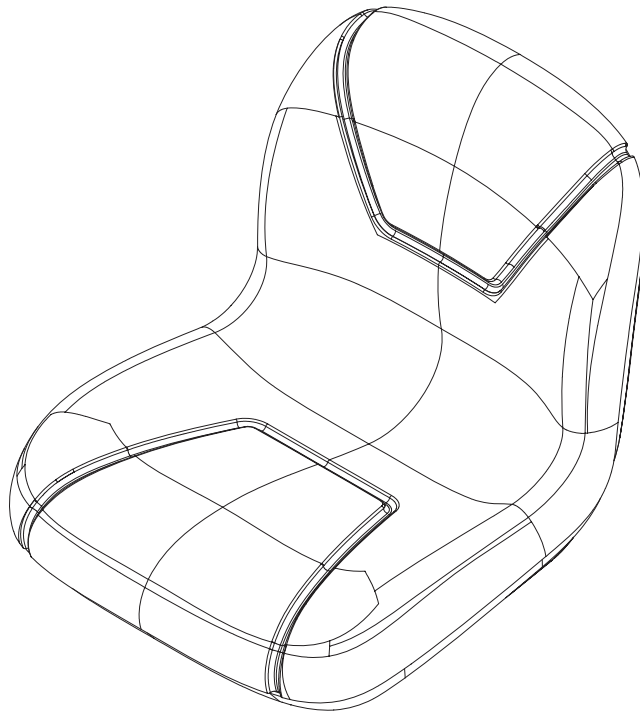
# Section N individual parts

Position	Description	QTY	Part Number
1	Seat	1	FV3-N-250001
6	Seat Bracket Plate	1	FV3-N-250003



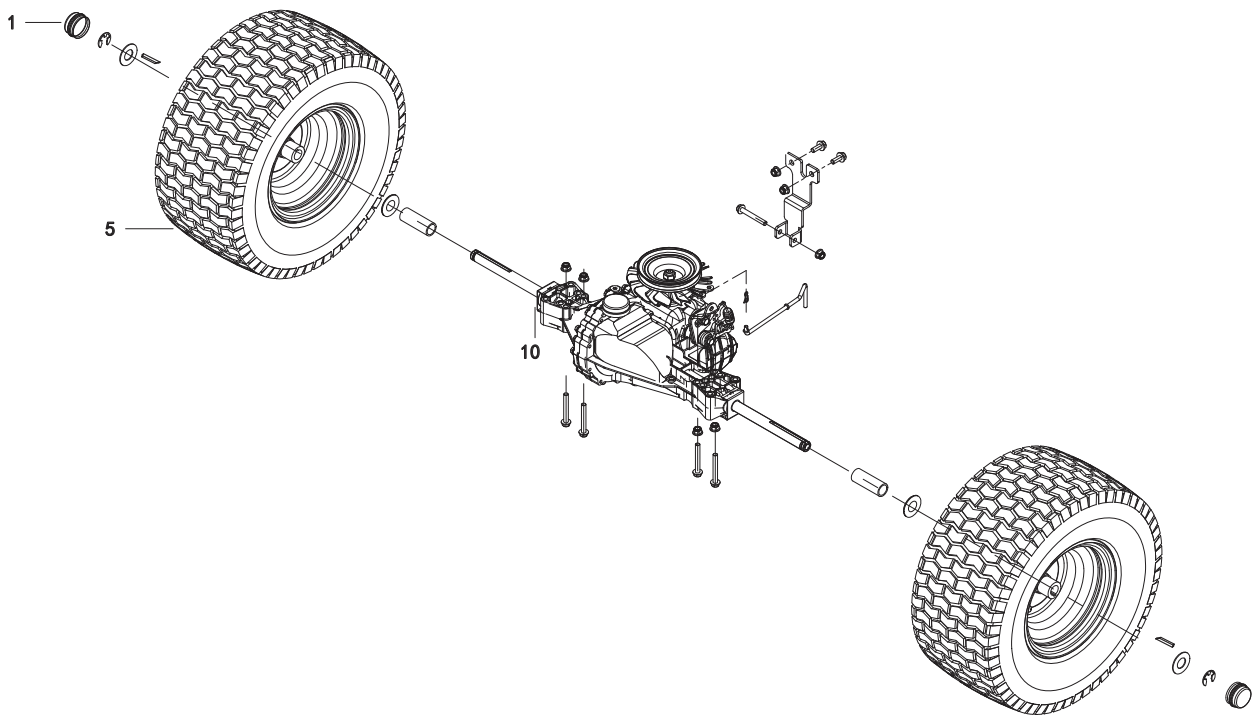
# Section N packaged parts

Position	Package 1 Description	QTY	Part Number
2		2	
3		2	
4	Seat Mounting Hardware Set	4	FV3-N-250002
5		4	



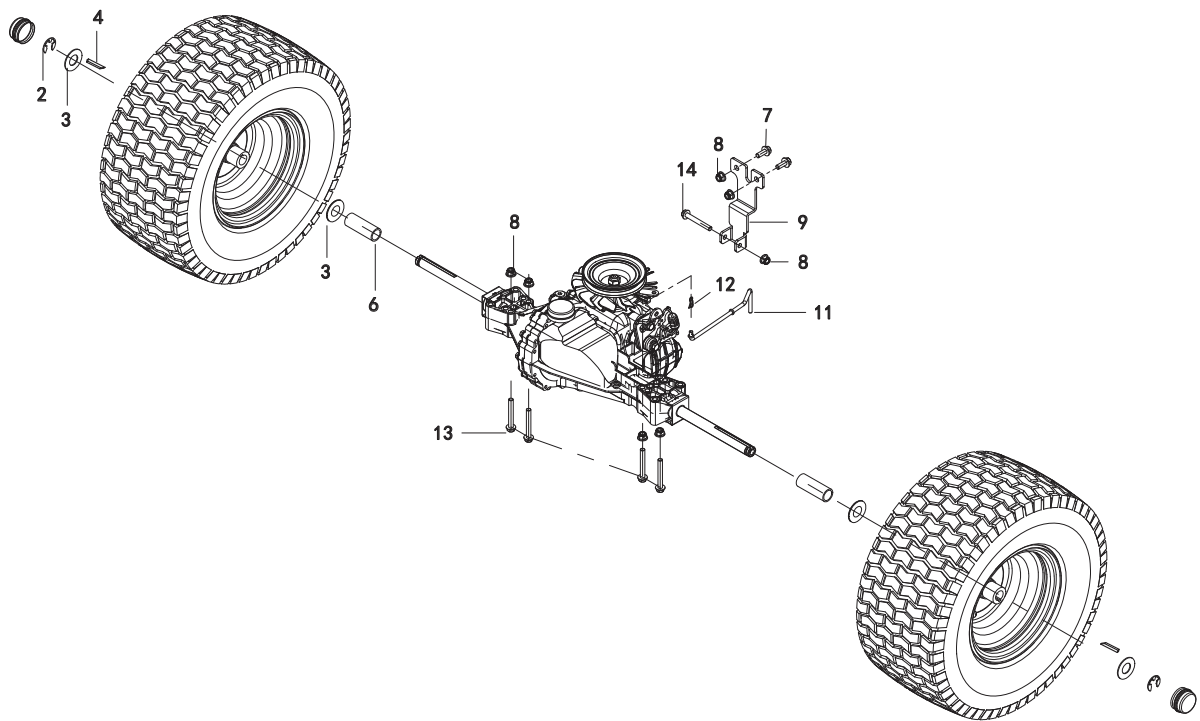
# Section O individual parts

Position	Description	QTY	Part Number
1	Rear Hub Caps	1	FV3-O-250001
5	Rear Wheel & Tyre	1	FV3-O-250004
10	Gearbox	1	FV3-O-250003



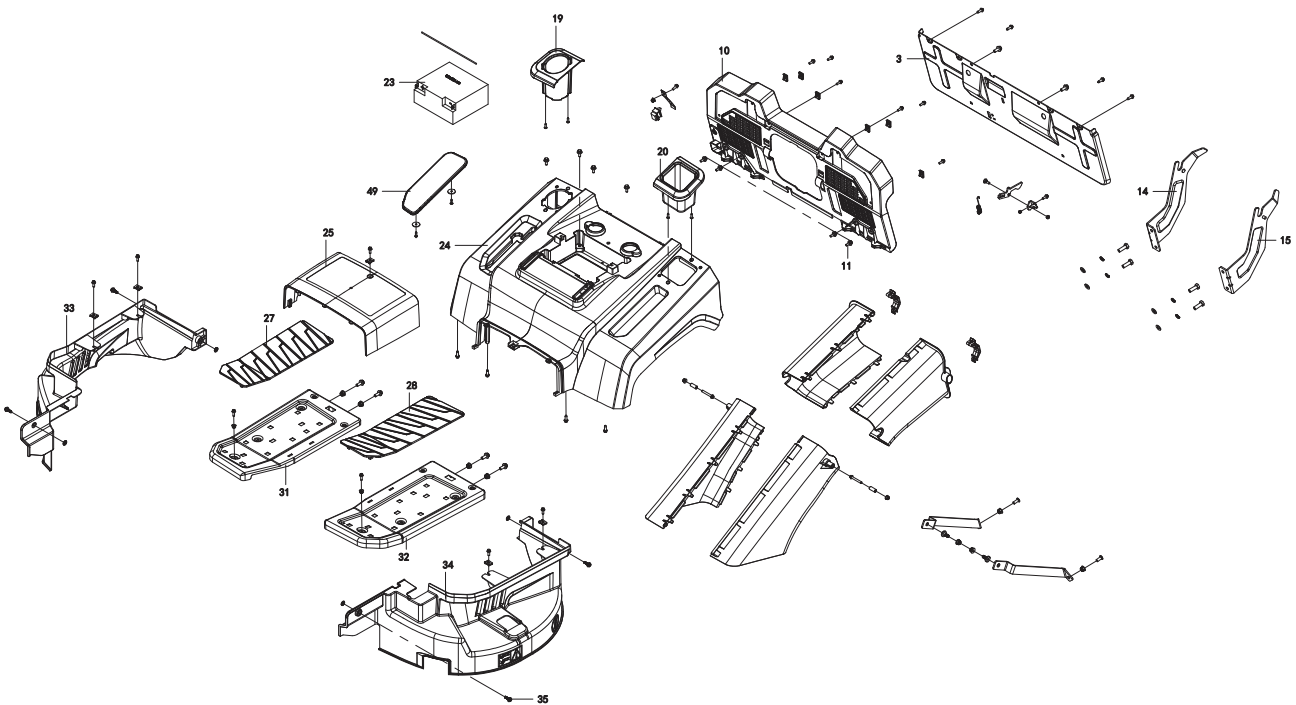
# Section O packaged parts

Position	Package 1 Description	QTY	Part Number
2		2	
3		2	
4		2	
6		2	
7		2	
8	Gearbox Hardware Set	7	FV3-O-250002
9		1	
11		1	
12		1	
13		7	
14		1	



# Section P individual parts

Position	Description	QTY	Part Number
3	Rear Catcher Panel	1	FV3-P-250002
10	Rear Body Panel	1	FV3-P-250003
14	Catcher Hanger Right	1	FV3-P-250004
15	Catcher Hanger Left	1	FV3-P-250005
19	Cup Holder	1	FV3-P-250006
20	Storage Cup	1	FV3-P-250007
23	Battery	1	FV3-P-250008
24	Seat Pan	1	FV3-P-250009
25	Transmission Tunnel Panel	1	FV3-P-250010
27	Foot Plate Mat Right	1	FV3-P-250011
28	Foot Plate Mat Left	1	FV3-P-250012
31	Foot Plate Right	1	FV3-P-250013
32	Foot Plate Left	1	FV3-P-250014
33	Deck Cover Right	1	FV3-P-250015
34	Deck Cover Left	1	FV3-P-250016
49	Seat Pan Blanking Plate	1	FV3-P-250018



# Section P packaged parts

Package 1			
Position	Description	QTY	Part Number
1		8	
2		2	
4		1	
5		1	
6		15	
7		7	
8		1	
9		11	
11		8	
12		1	
13		1	
16		4	
17		4	
18		4	
21	Main Body Hardware Set	6	FV3-P-250001
22		1	
26		1	
29		4	
30		8	
35		4	
36		4	
37		2	
38		2	
43		2	
44		1	
45		1	
46		2	
47		2	
48		2	

Package 2			
Position	Description	QTY	Part Number
39		1	
40		1	
41	Chute Assembly	1	FV3-P-250017
42		1	

